

5

4

3

2

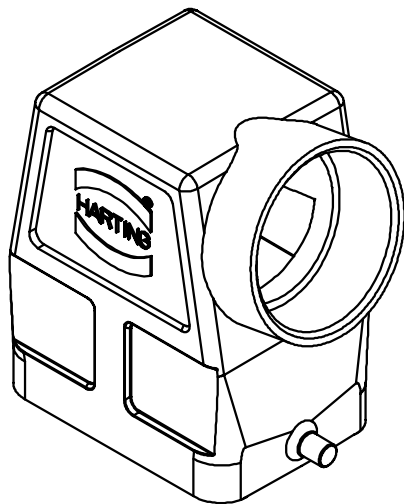
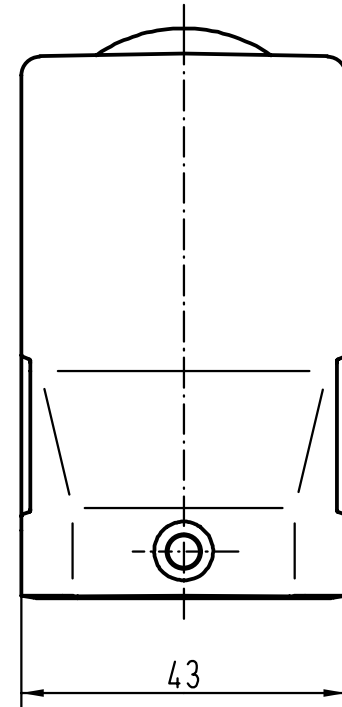
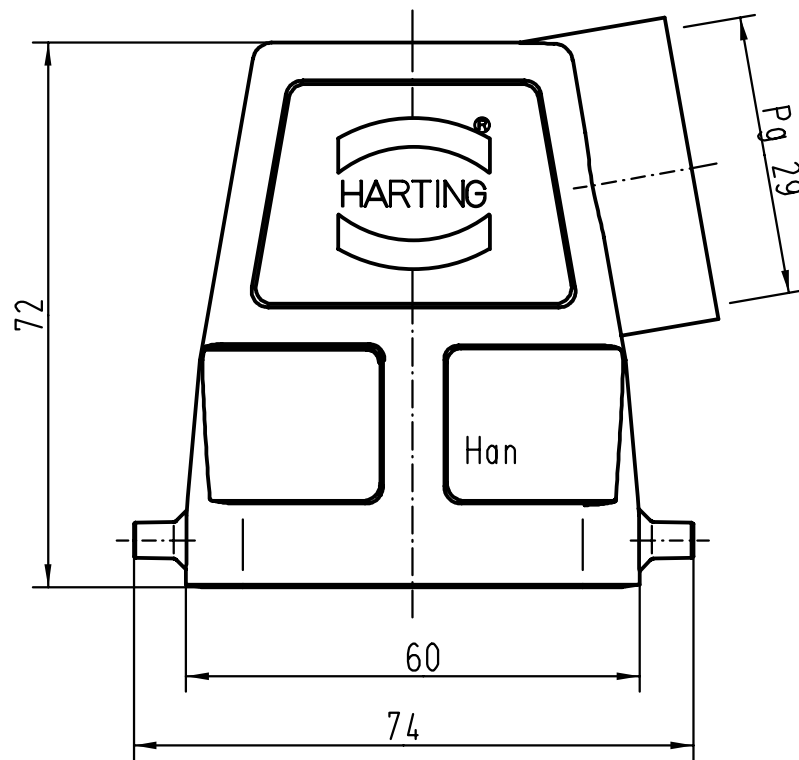
1



D

C

B

A



| | | | | | | |
|---|------|-------------------|-------------------|--------------|--|--|
|  All Dimensions in mm Original Size DIN A 4 | | Techn. Character. | | | Nicht tolerierte Masse/ Free size tolerances | |
| | | | Dat. | Name | Massstab/ Scale 1:1 | Han 6B-gs-29 Tüllengehäuse/ hoods side-entry |
| | | | Detail. | 20.09.99 Göt | | |
| | | | Insp. | Sdt | | |
| | | | Stand. | | | |
| 26788 | | | HARTING KGaA | | | TB 09 30 006 0543 Sub. TB 09 30 006 054. v. 15.01.93 |
| Mod. | Dat. | Name | D-32339 ESPELKAMP | | | |
|  | | | | | | Blatt/ page |